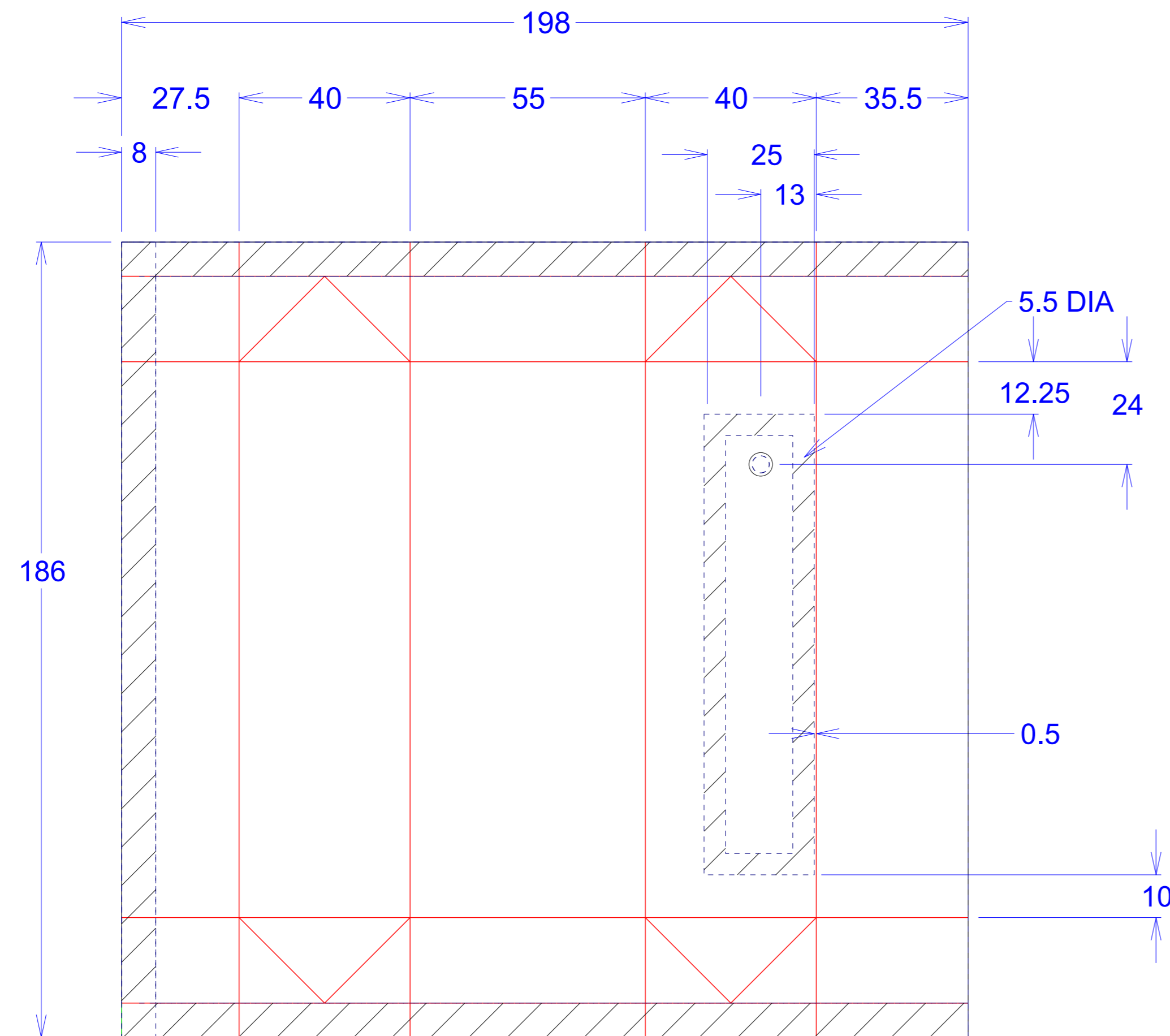
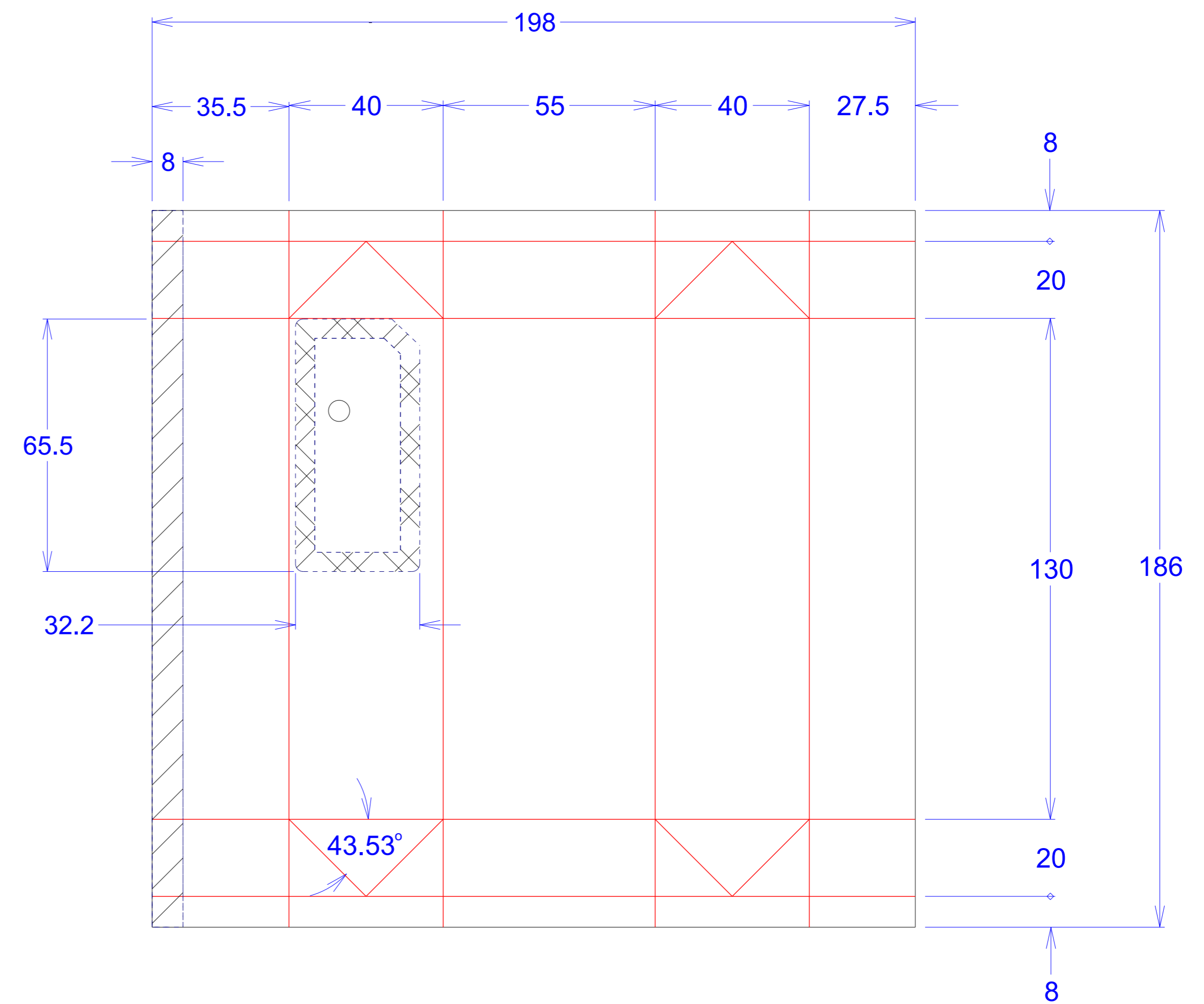


INSIDE VIEW



OUTSIDE VIEW



LEGEND

CUT LINE

CREASE/
FOLD LINE

PERFORATION

GLUE ASSIST

PARTIAL CUT/
SLIT SCORE

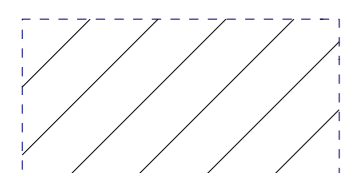
COPY AREA

COPY FREE

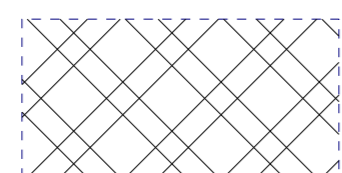
BLEED

EMBOSS/DEBOSS

COATING



Heat Seal// Panel
No Ink, No Varnish, No Coating



Glue Pattern / Panel
No Ink, No Varnish, No Coating

ALL DIMENSIONS ARE IN mm.



307, SHPEE CHAMBERS
3rd FLOOR, 100ft RING ROAD
BANASHANKAPI 3rd STAGE
4th PHASE, 7th BLOCK
BANGALORE - 560 085

DRAWN
SEN
DATE
17-OCT-2018

CHECKED
DATE

APPROVED
DATE

DESCRIPTION
TETRA PACK (6 LAYERS)

FORMAT
DRAWING NO.

SCALE
1 : 1
WEIGHT
THIRD ANGLE PROJECTION
SHEET
1 OF 1